

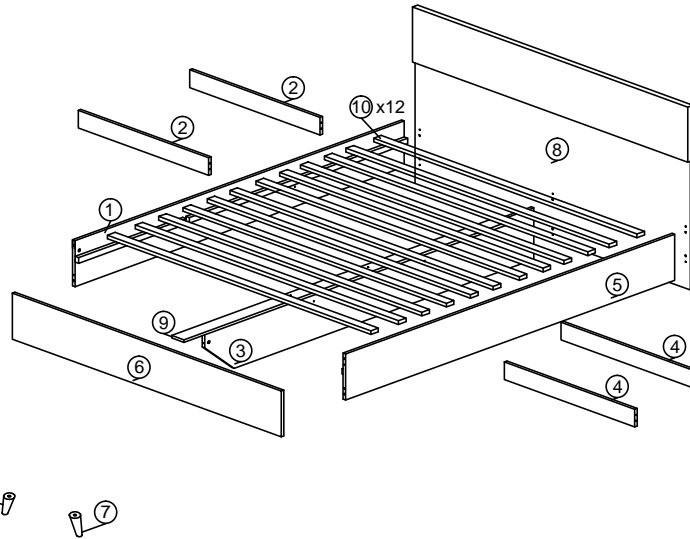
ASSEMBLY INSTRUCTION

MODEL : E 7348,2

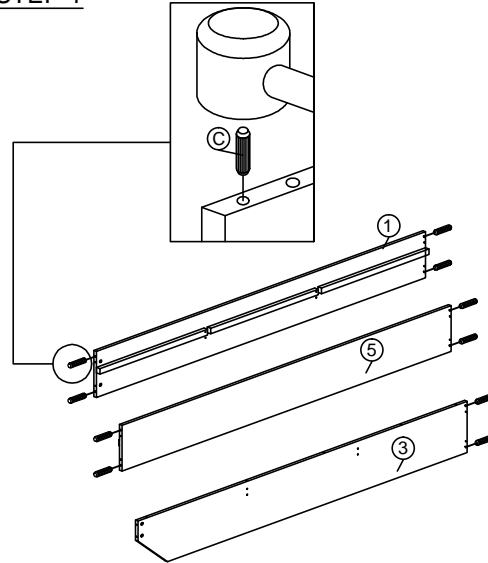
DESC: DOUBLE BED

HARDWARE	A	B	C	D	E	F	G	H	I	J	K
	A1 A2 MINIFIX 5654+5546	Ⓞ MINIFIX CAP	Ⓞ WOOD DOWEL 8 X 25	50MM CSK CAP WOOD M6X50MM	16MM CB SCREW M3.5x16MM	50MM JCBB BOLT M8X50MM	L KEY M4	L KEY M5	38MM CB SCREW M4X38MM	TAD BRACKET 01	L BRACKET
	22 SETS	22	10	11	32	2	1	1	12	2	4

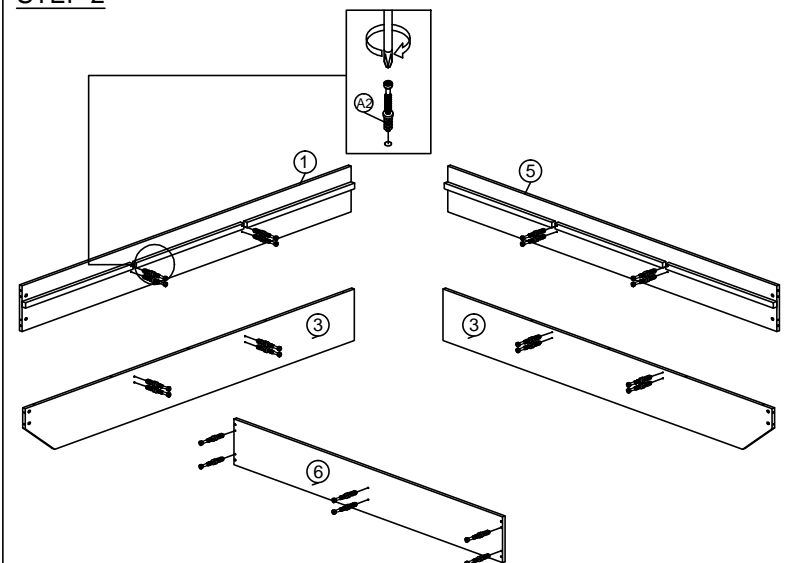
PART LIST



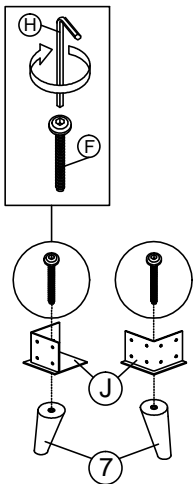
STEP 1



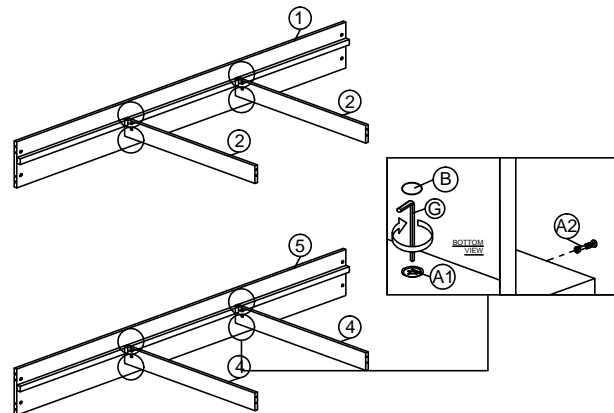
STEP 2



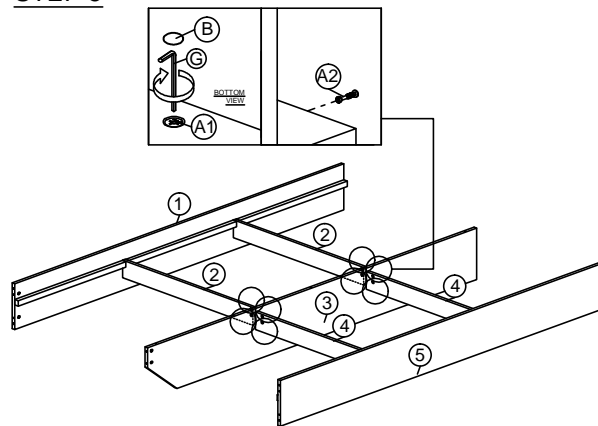
STEP 3



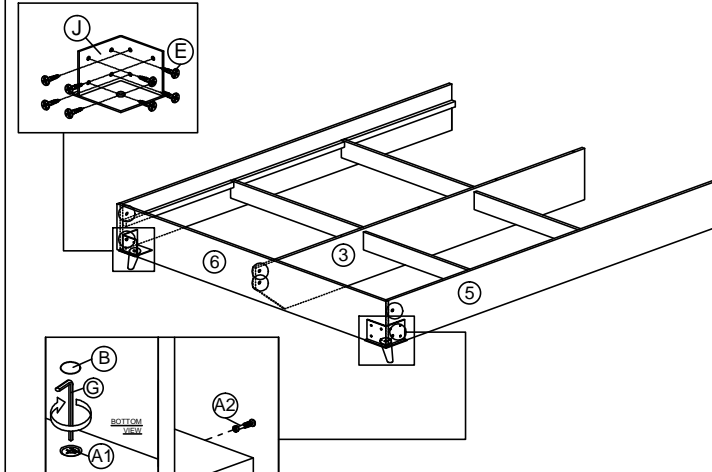
STEP 4



STEP 5



STEP 6

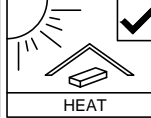




SOFT, DRY CLOTH



CHEMICAL



HEAT



KEEP DRY



HANDLE WITH CARE



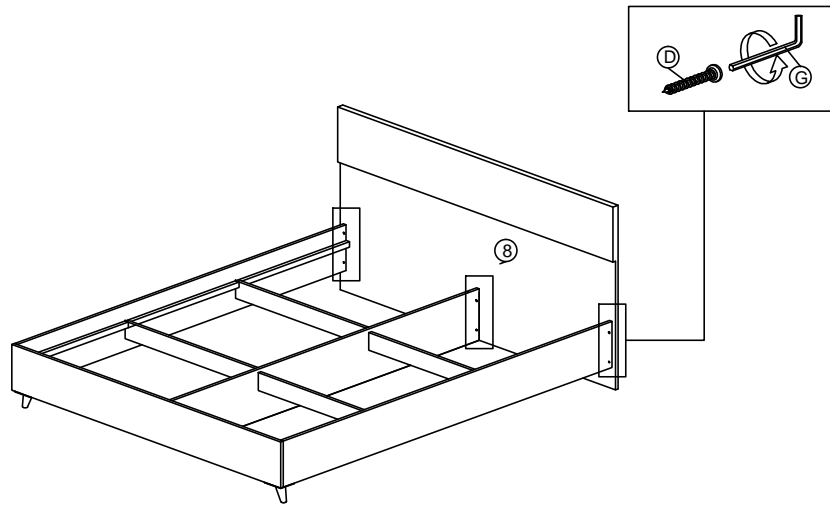
DO NOT USE KNIFE

ASSEMBLY INSTRUCTION

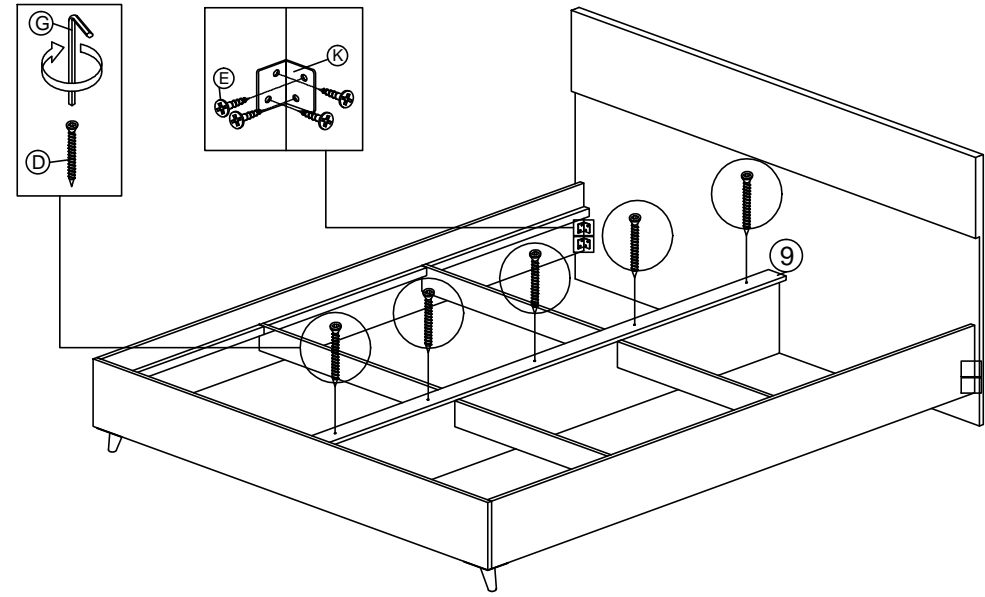
MODEL : E 7348,2

DESC: DOUBLE BED

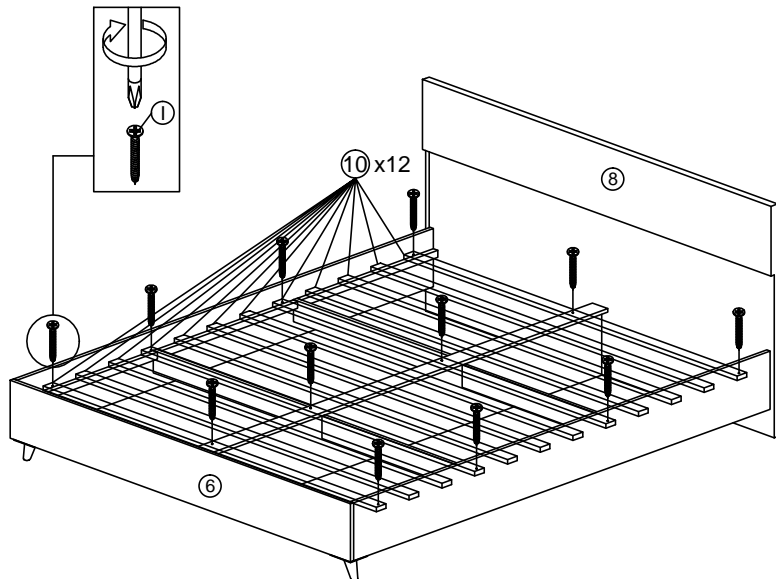
STEP 7



STEP 8



STEP 9



COMPLETED

