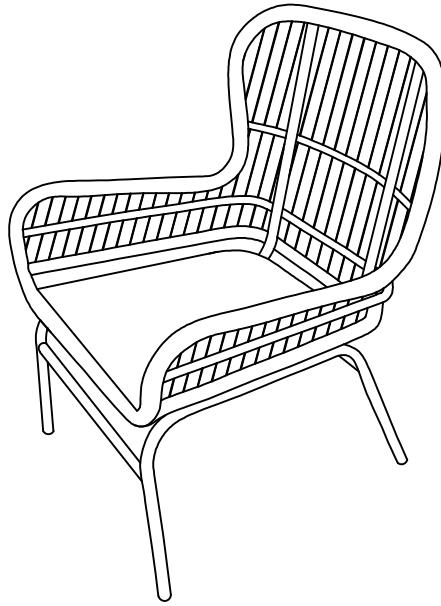
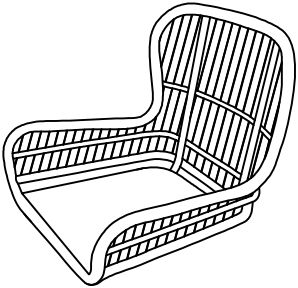
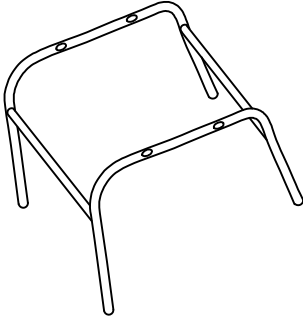

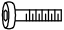



# Assembly Instruction



			
A 1 PC	B 1 PC	E 1 PC	F 4 PCS
			
		G 4 PCS	

