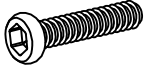



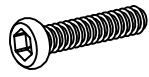


A		x8		B		x1
C		x8		D		x8

1

Ax8



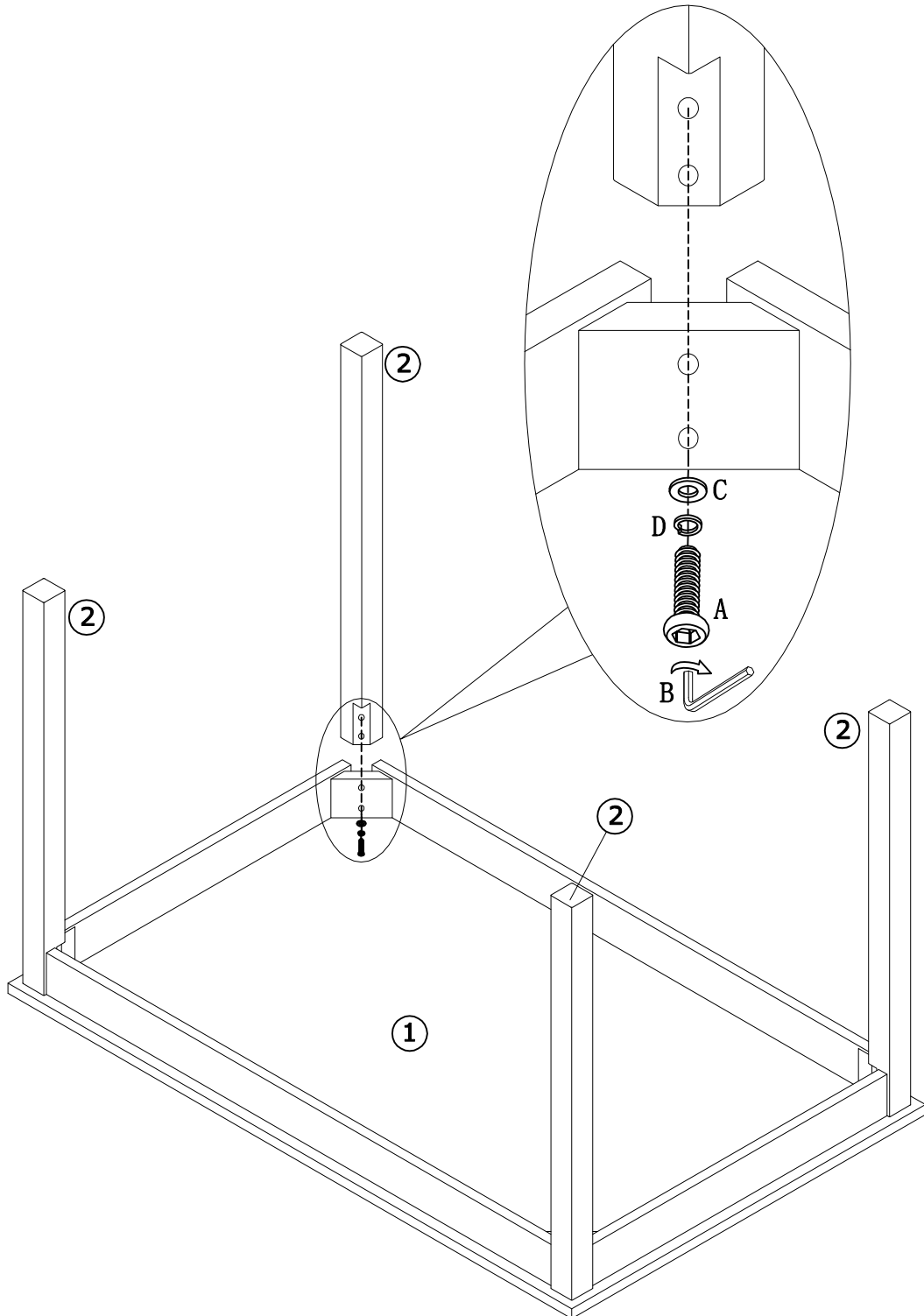
Bx1

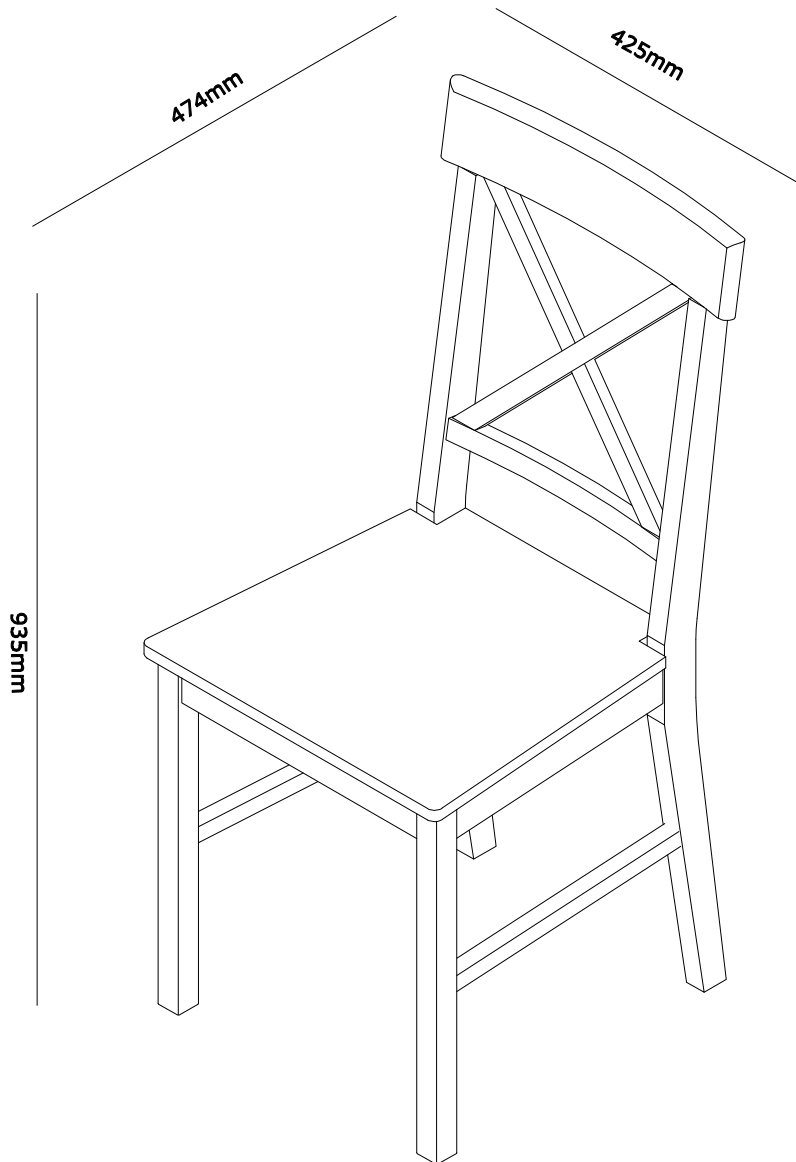


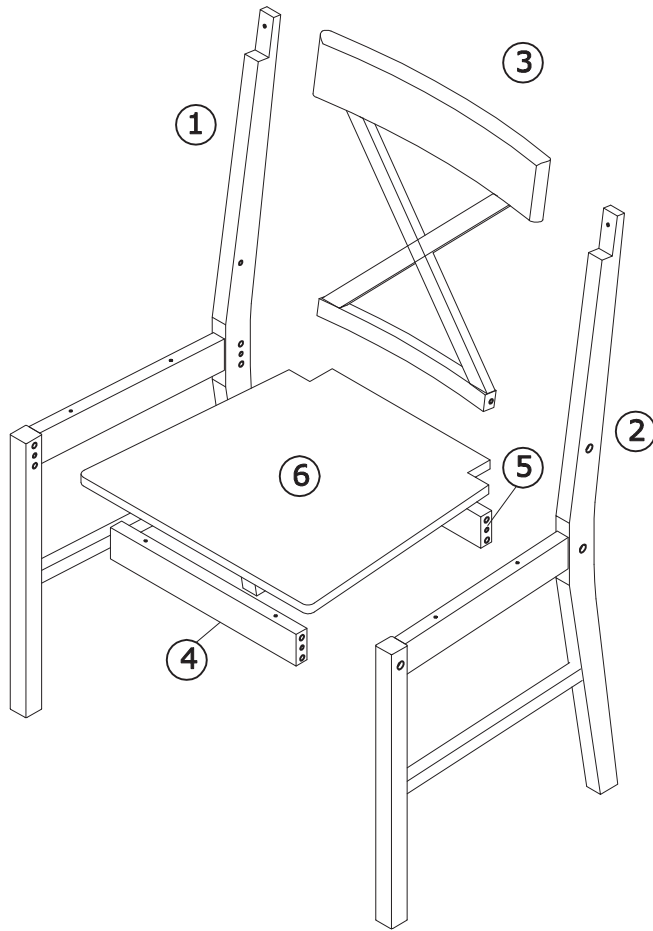
Cx8




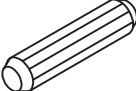




Dx8



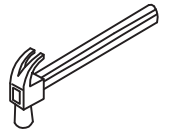
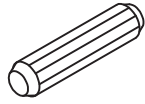




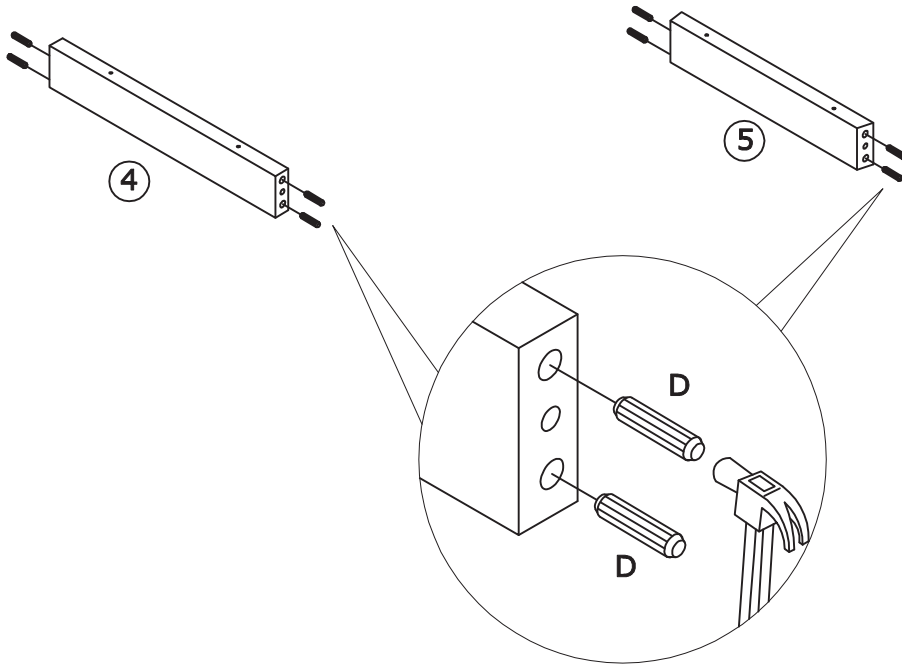
A		x6		B		x1
C		x4		D		x8
E		x2		F		x8

1

Dx8



NO PROVIDED

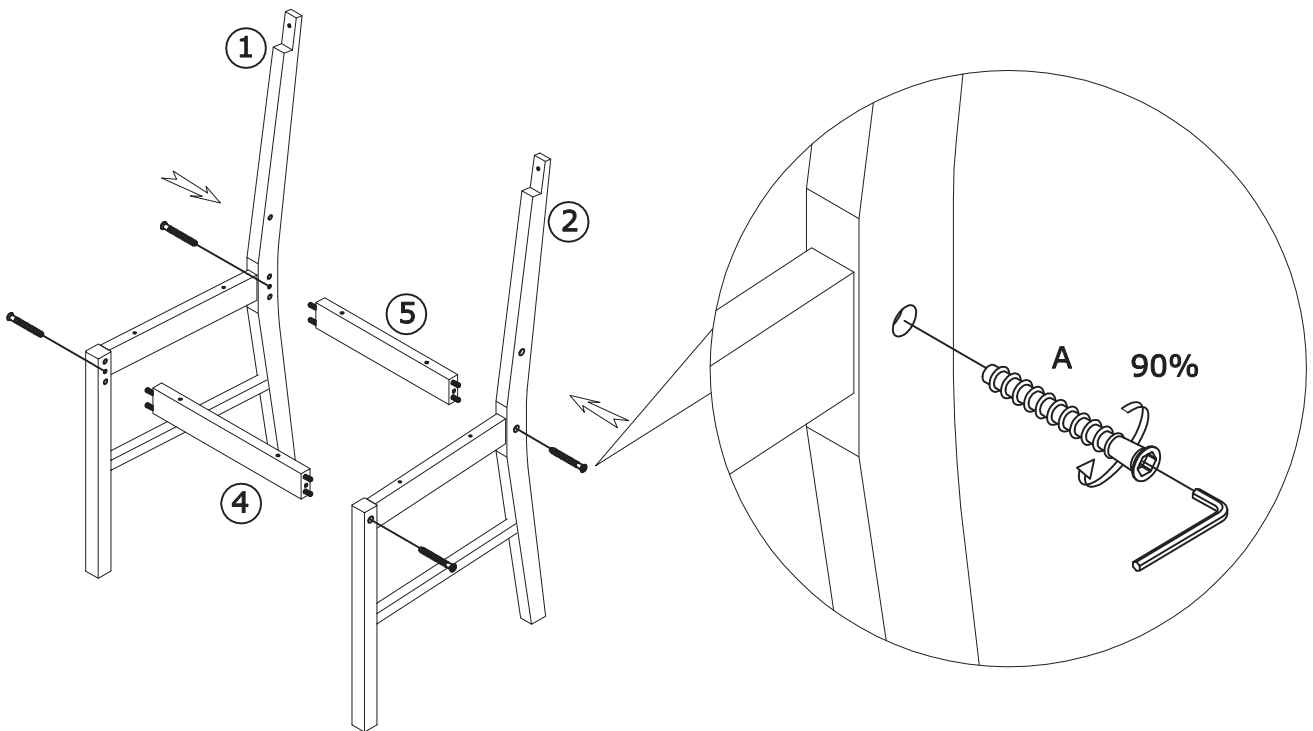


2

Ax4

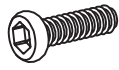


Bx1



3

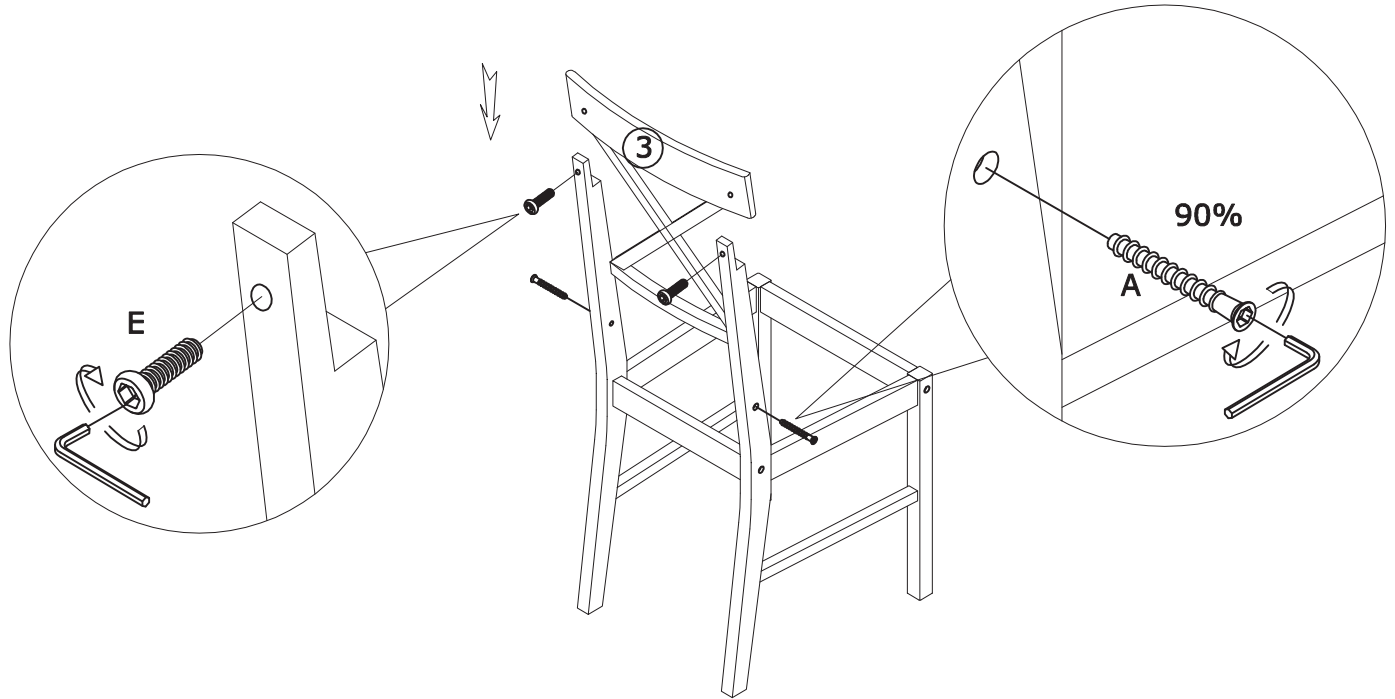
Ex2



Ax2

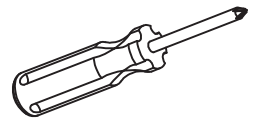
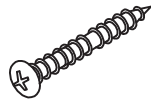


Bx1

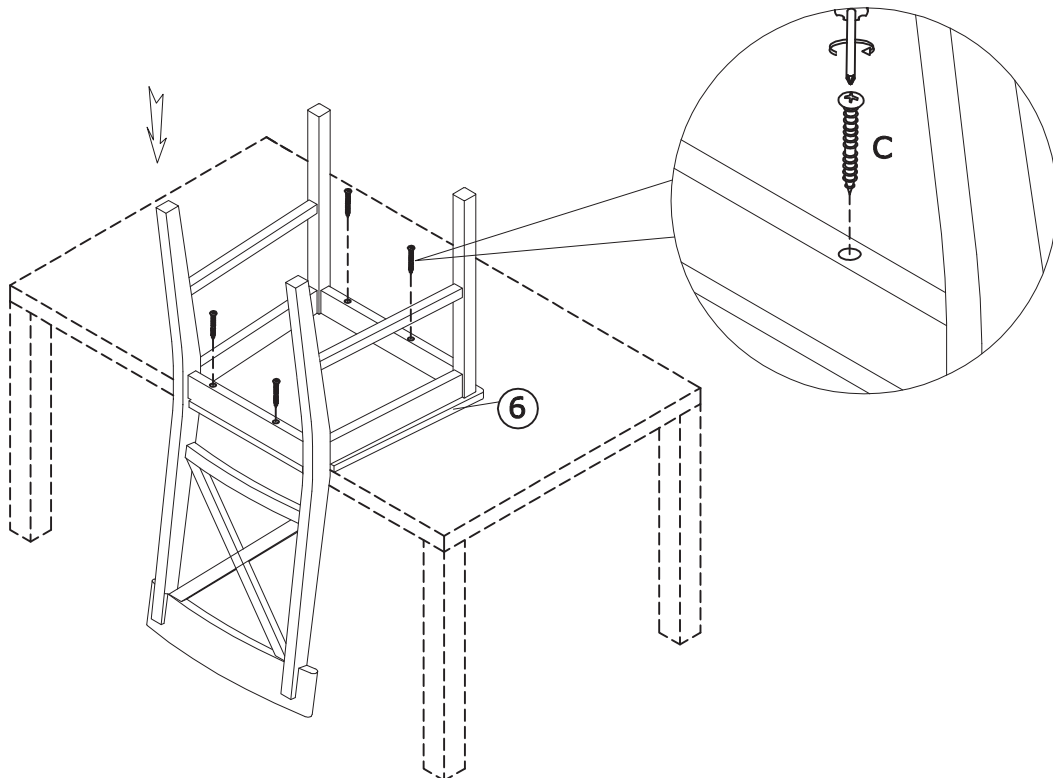


4

Cx4



NO PROVIDED



4-5

5

Bx1



Fx8

