
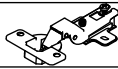













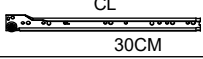

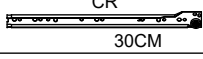



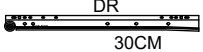
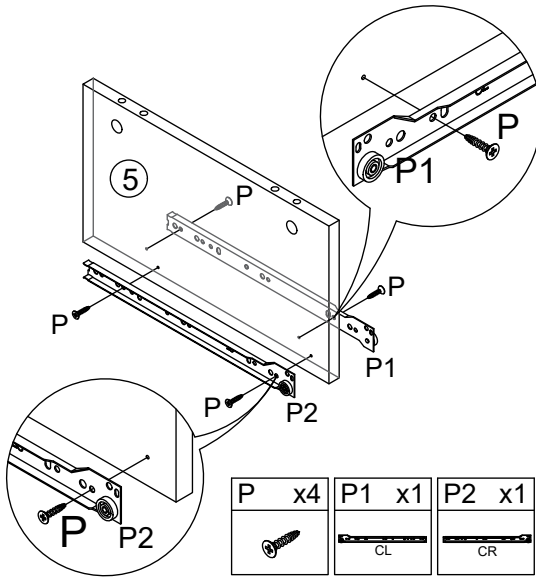


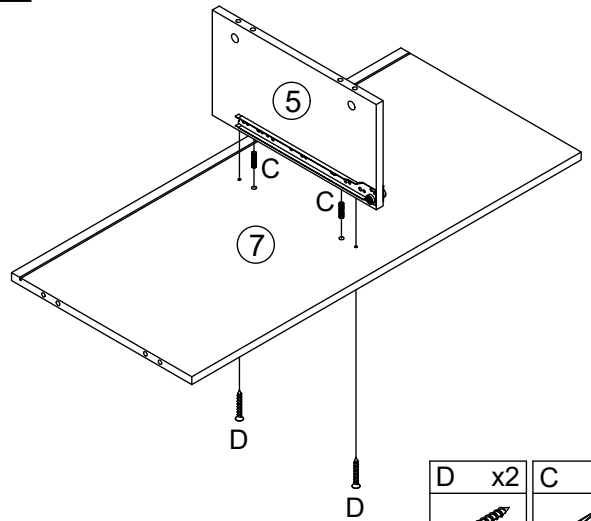
A	 $\Phi 6 \times 35$	20PCS	L		2PCS
B	 $\Phi 15 \times 10$	20PCS	M	 $\Phi 4 \times 30$	6PCS
C	 $\Phi 8 \times 30$	18PCS	N		1PC
D	 $\Phi 4 \times 35$	15PCS	O		1PC
E	 $\Phi 6 \times 30$	8PCS	P	 $\Phi 3 \times 12$	16PCS
F	 $\Phi 4 \times 12$	1PC	Q		1PC
G		12PCS	R	 $\Phi 6 \times 50$	4PCS
H	 $\Phi 3 \times 16$	12PCS	P1	 CL 30CM	2PCS
I		3PCS	P2	 CR 30CM	2PCS
J	 $\Phi 4 \times 18$	6PCS	P3	 DL 30CM	2PCS
K	 $\Phi 4 \times 14$	8PCS	P4	 DR 30CM	2PCS

1



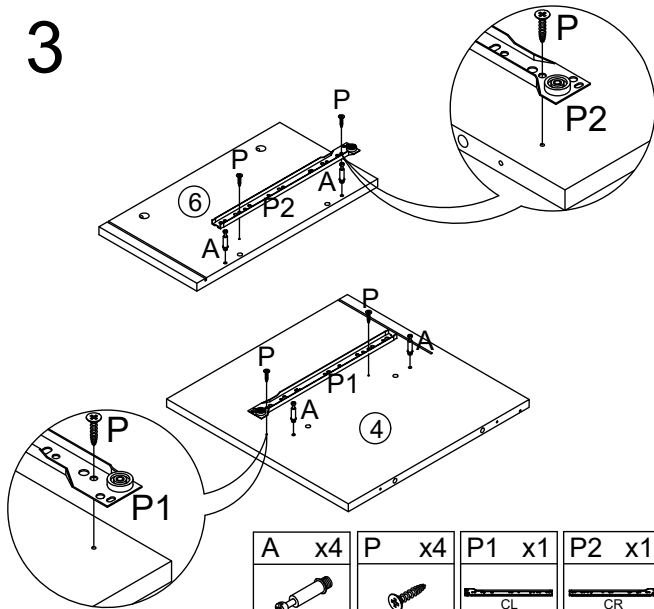
P x4	P1 x1	P2 x1

2



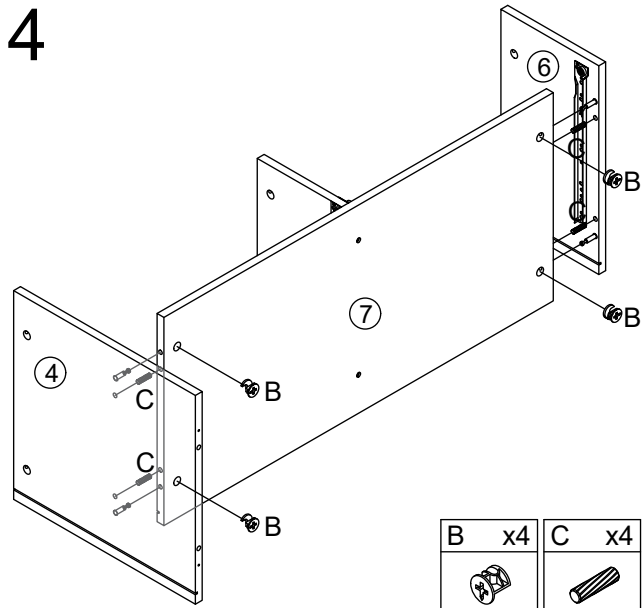
D x2	C x2

3



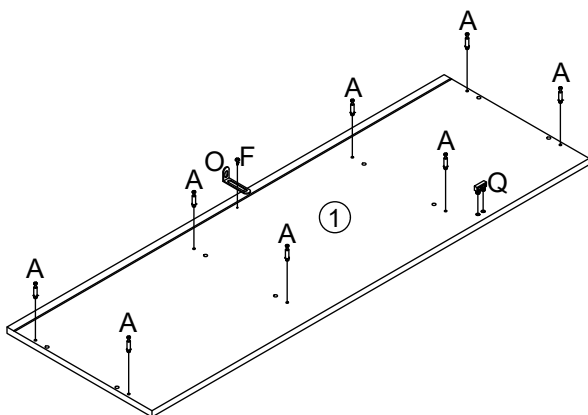
A x4	P x4	P1 x1	P2 x1

4



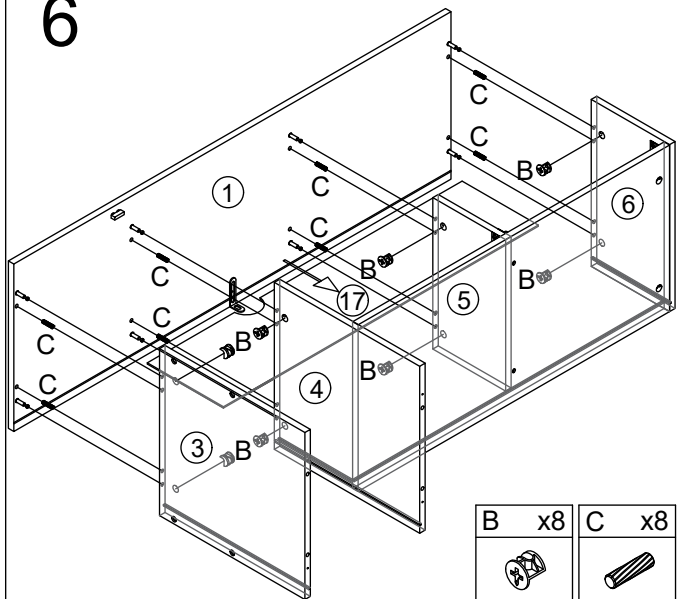
B x4	C x4

5



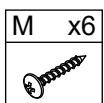
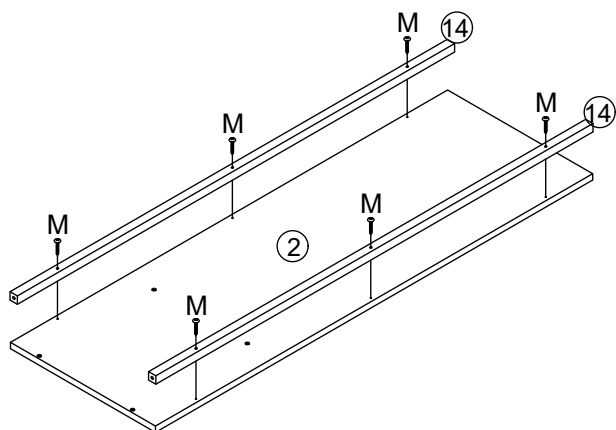
Q x1	F x1	O x1	A x8

6

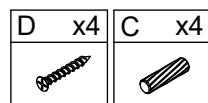
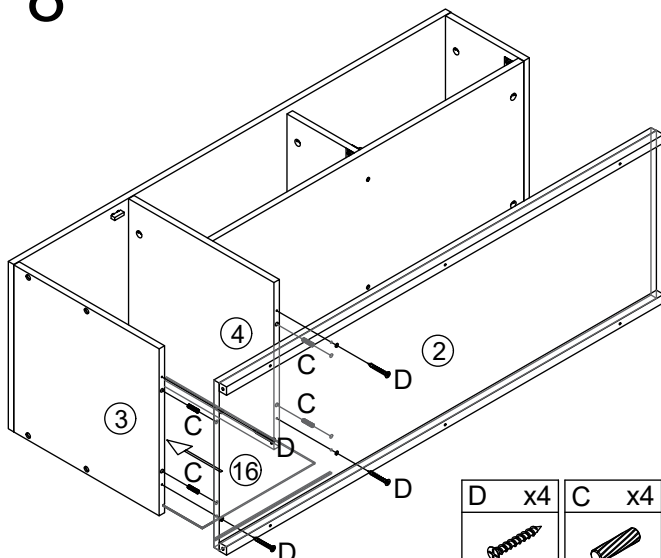


B x8	C x8

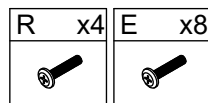
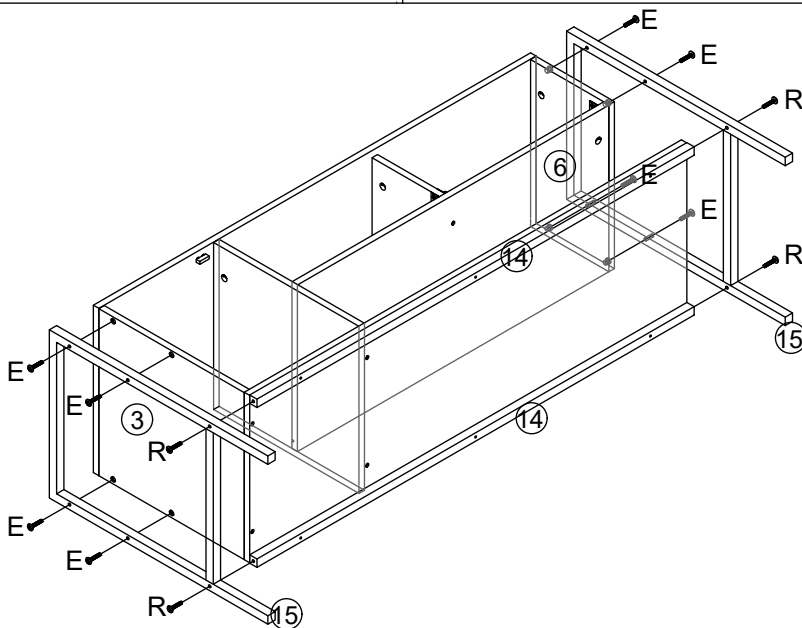
7



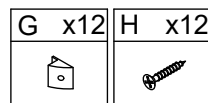
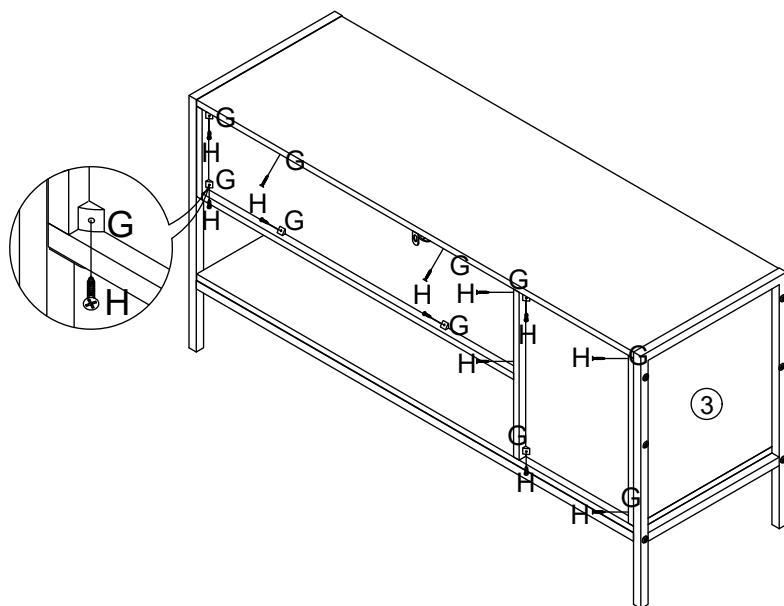
8



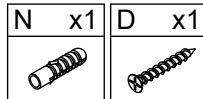
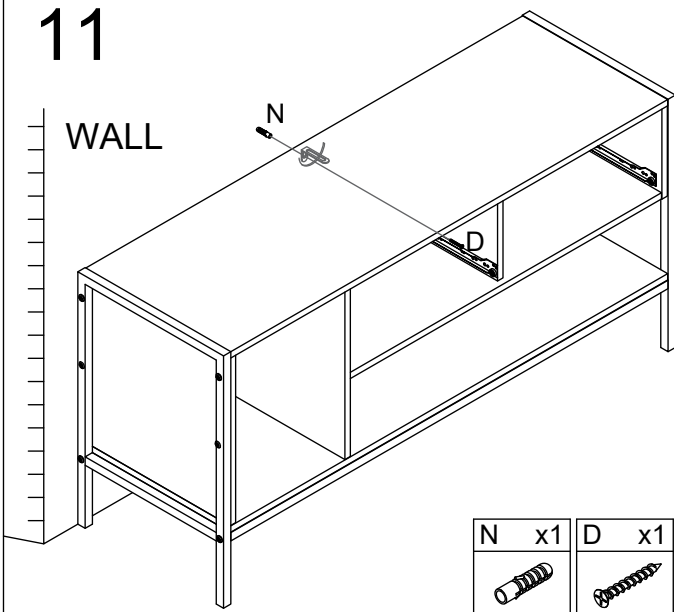
9



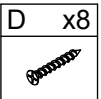
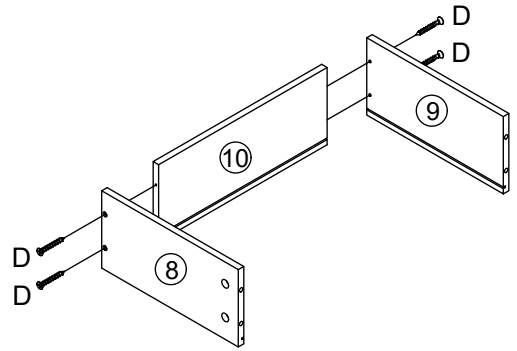
10



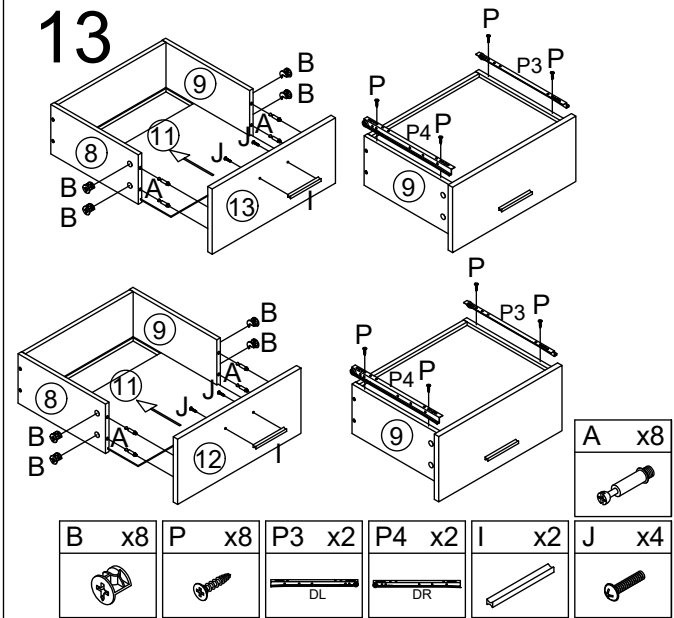
11



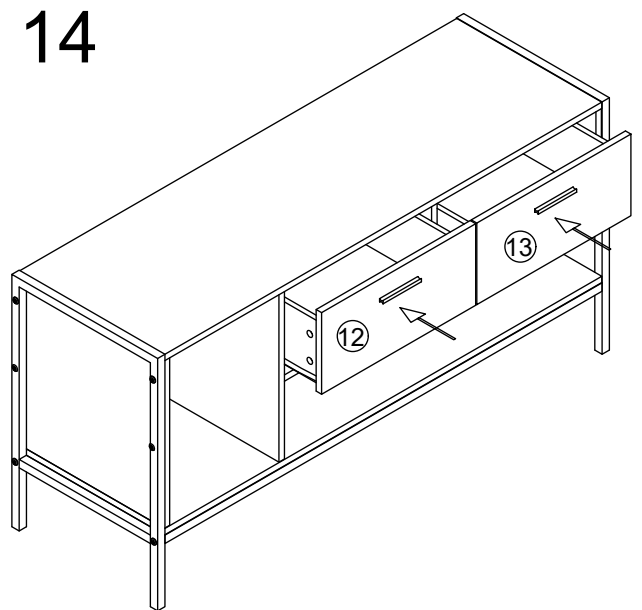
12x2



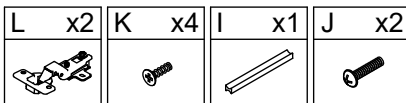
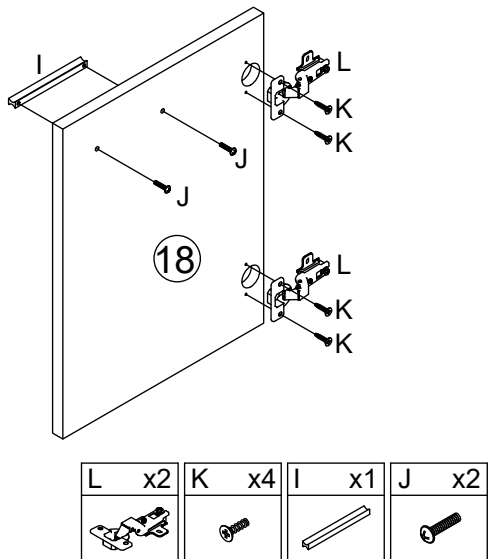
13



14



15



16

