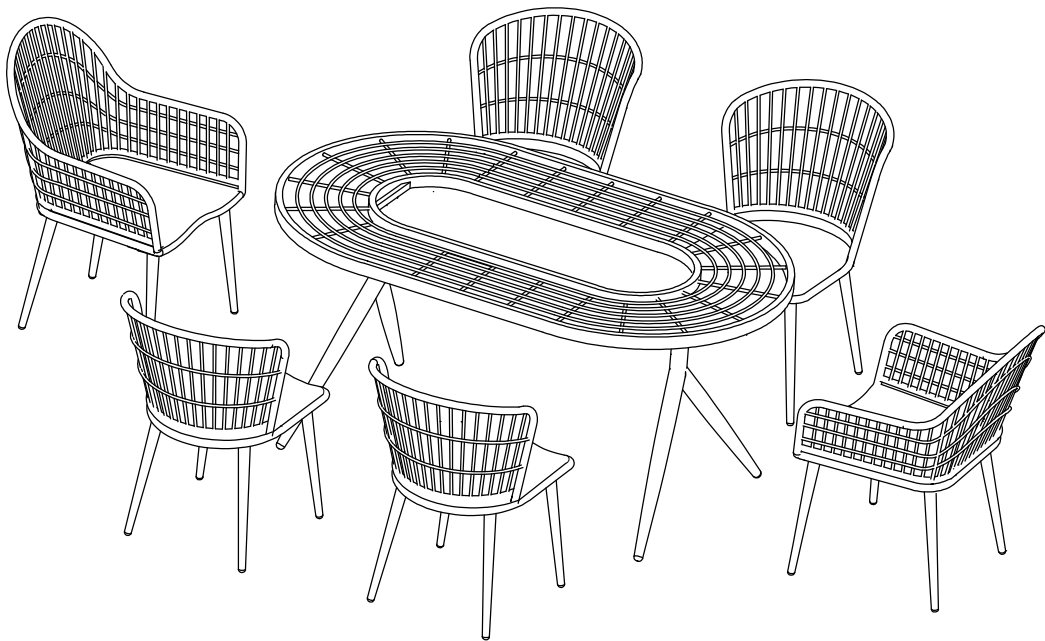



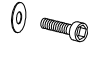


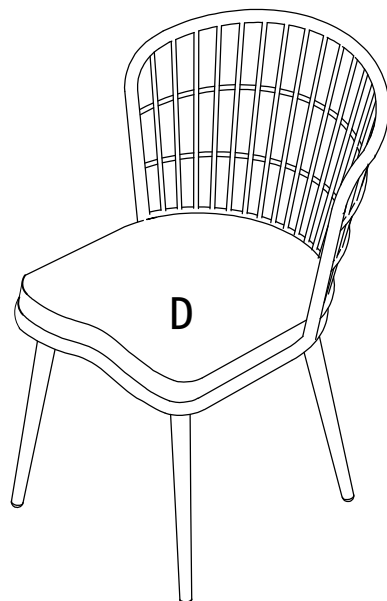
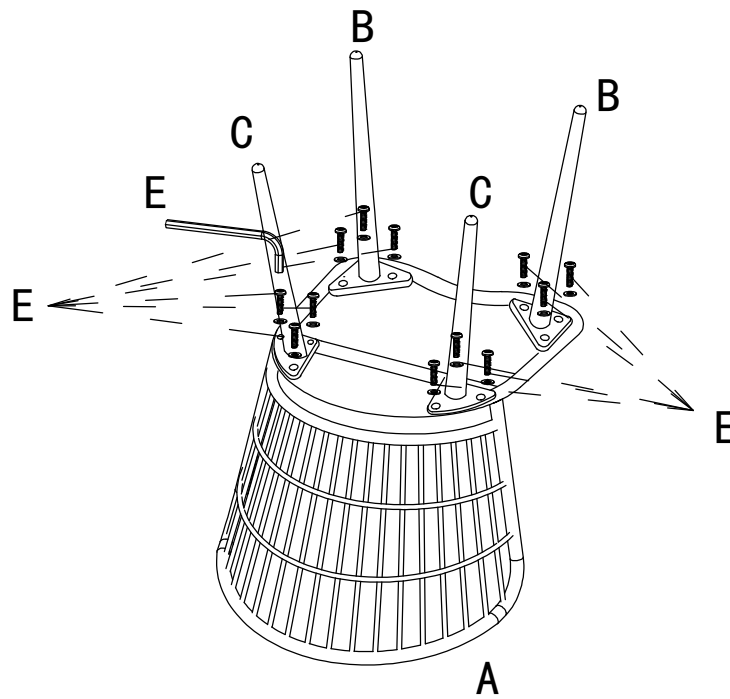


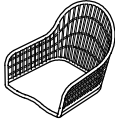





ASSEMBLY INSTRUCTIONS

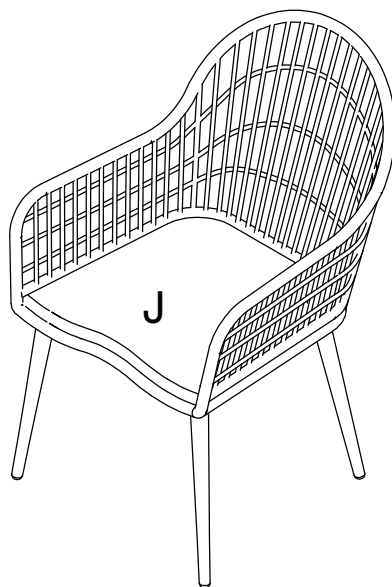
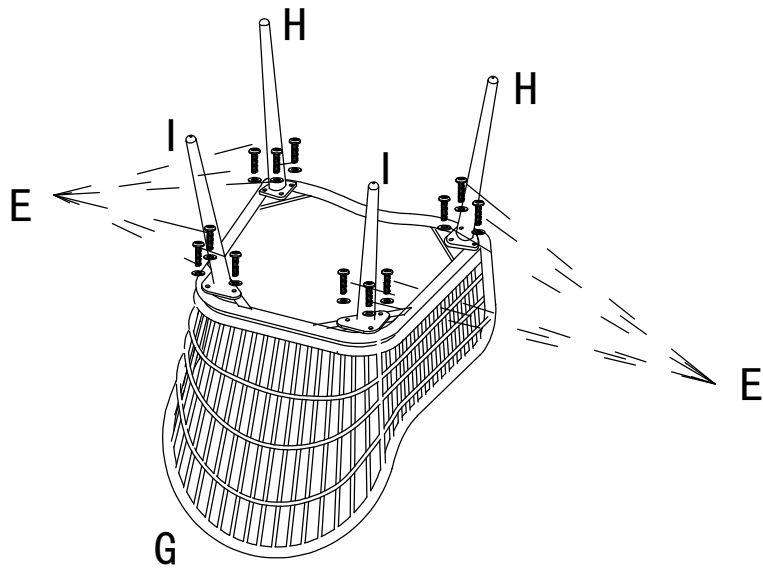


A 1cs		D 1cs	
B 2pcs		E 12pcs M6*15	
C 2pcs		F 1pc	






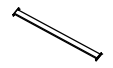
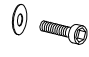

Do not fully tighten bolts until assembly is complete

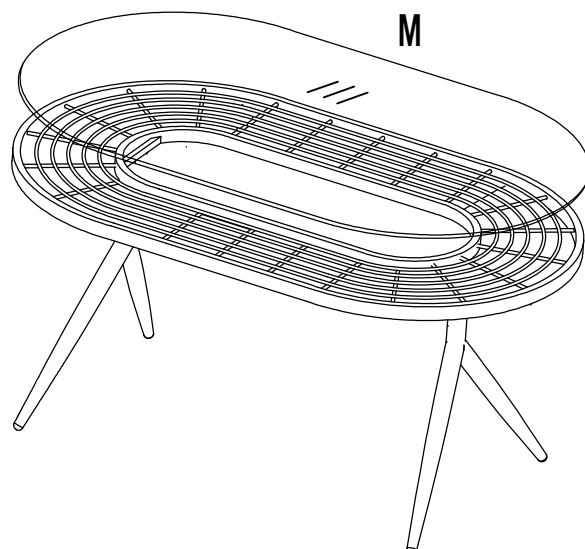
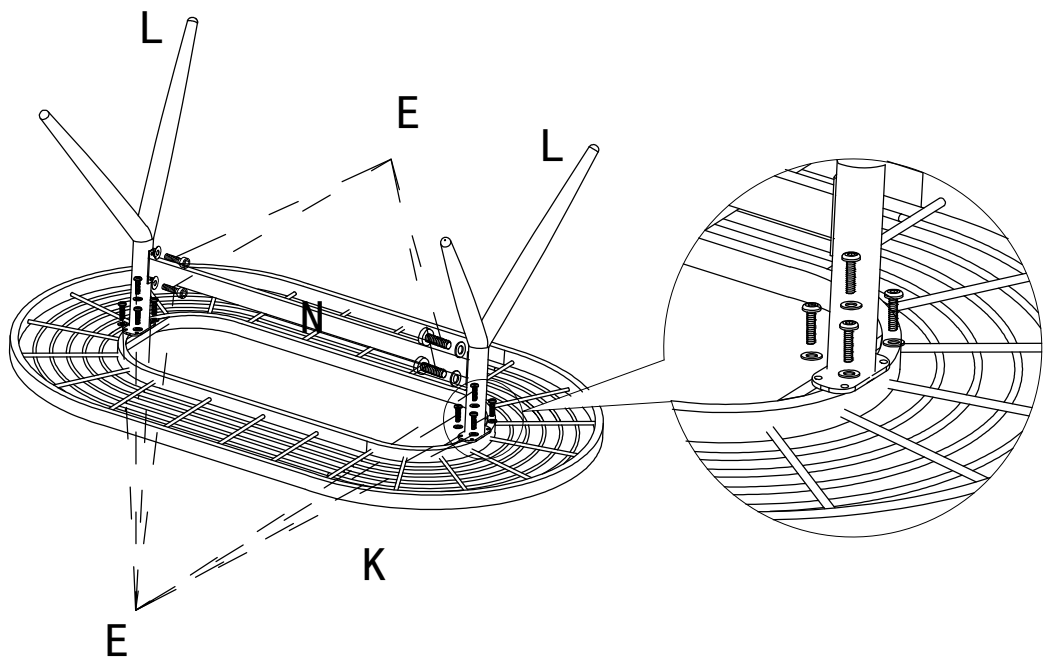
<p>G 1cs</p>		<p>J 1cs</p>	
<p>H 2pcs</p>		<p>E 12pcs</p>	 M6*15
<p>I 2pcs</p>		<p>F 1pc</p>	



Do not fully tighten bolts until assembly is complete

K 1pc	
L 2pcs	
M 1pc	

N 1pc	
E 12pcs	 M6*15
F 1pc	



Do not fully tighten bolts until assembly is complete