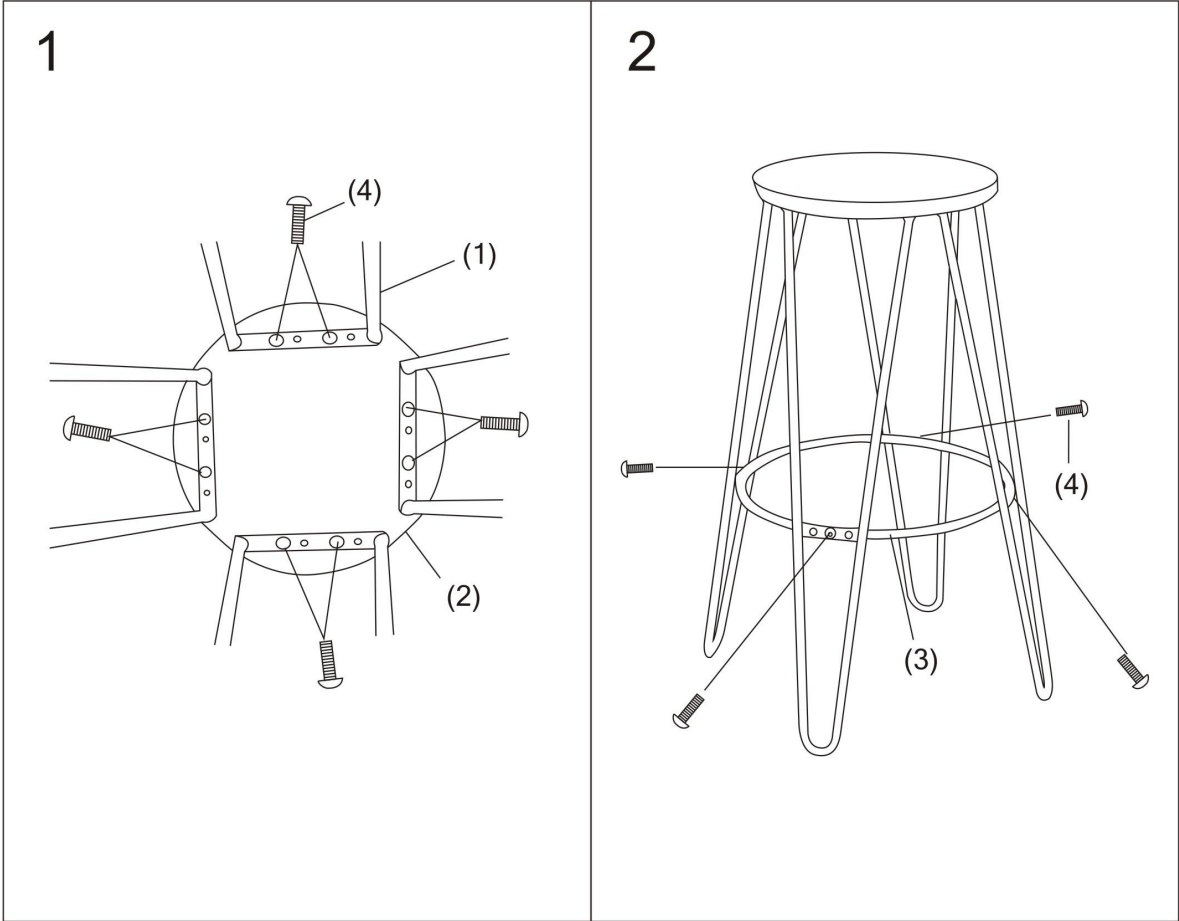






# Assembly Instruction



<p>(1)x4</p> 	<p>(2)x1</p> 	<p>(3)x1</p> 
<p>(4)x12</p>  <p>(M6*10mm)</p>	<p>(5)x1</p> 