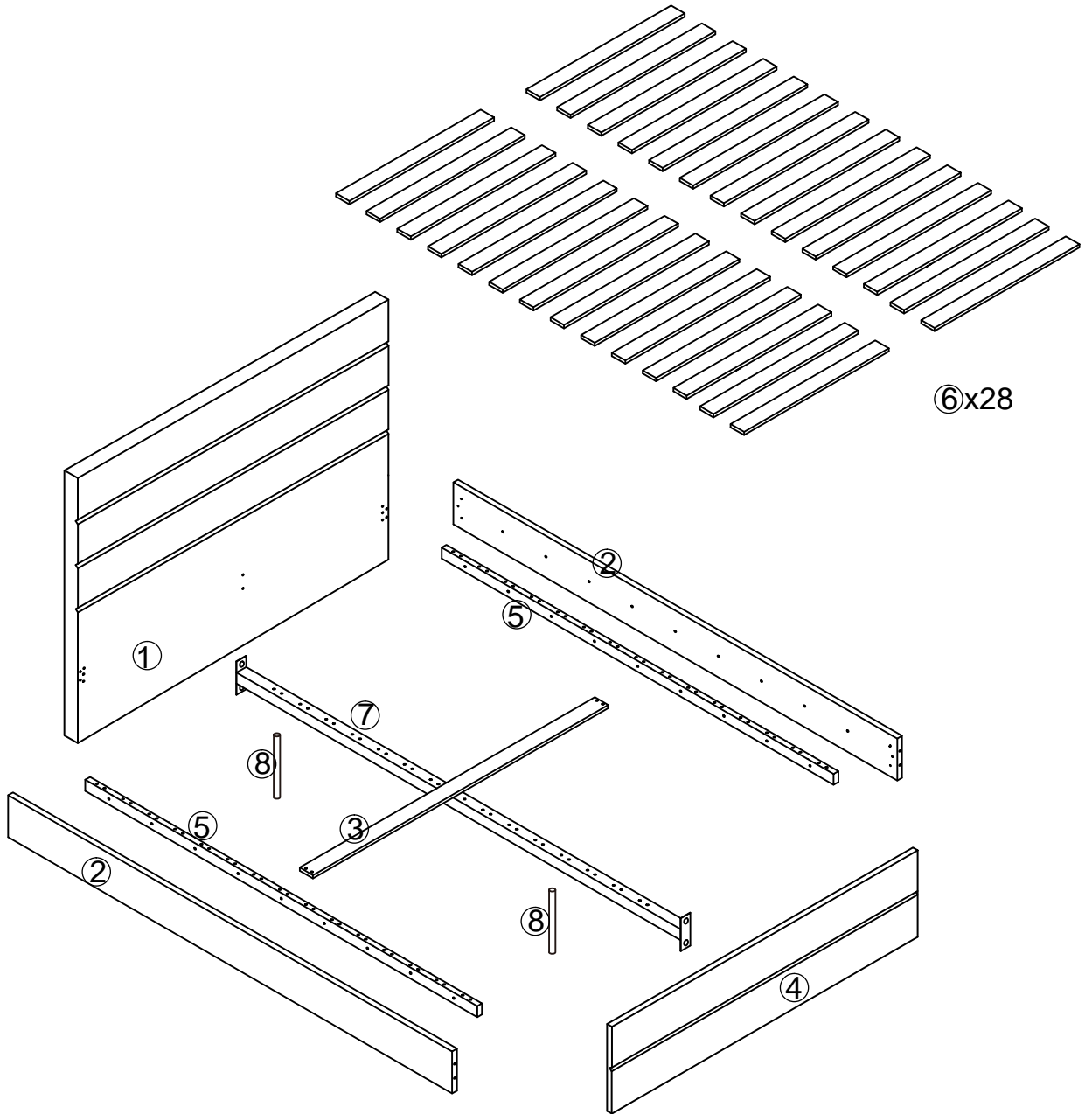
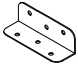

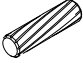


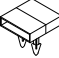
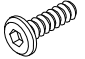
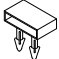



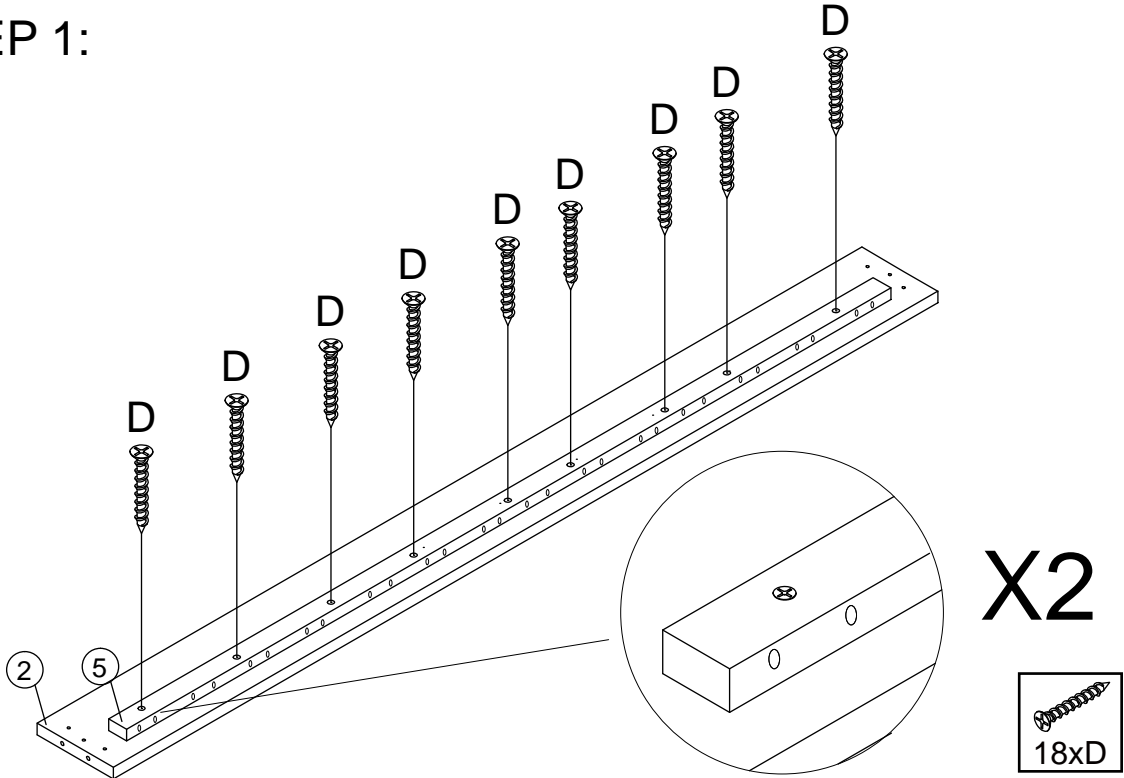
PARTS LIST



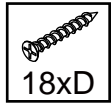
PARTS LIST

NO.	ITEM	QTY	NO.	ITEM	QTY
A		4PCS	G		28PCS
C	 $\phi 10*50$	8PCS	H		1PC
D	 $\phi 4*35$	18PCS	I		14PCS
E	 $\phi 6*18$	36PCS	J		28PCS
F		28PCS			

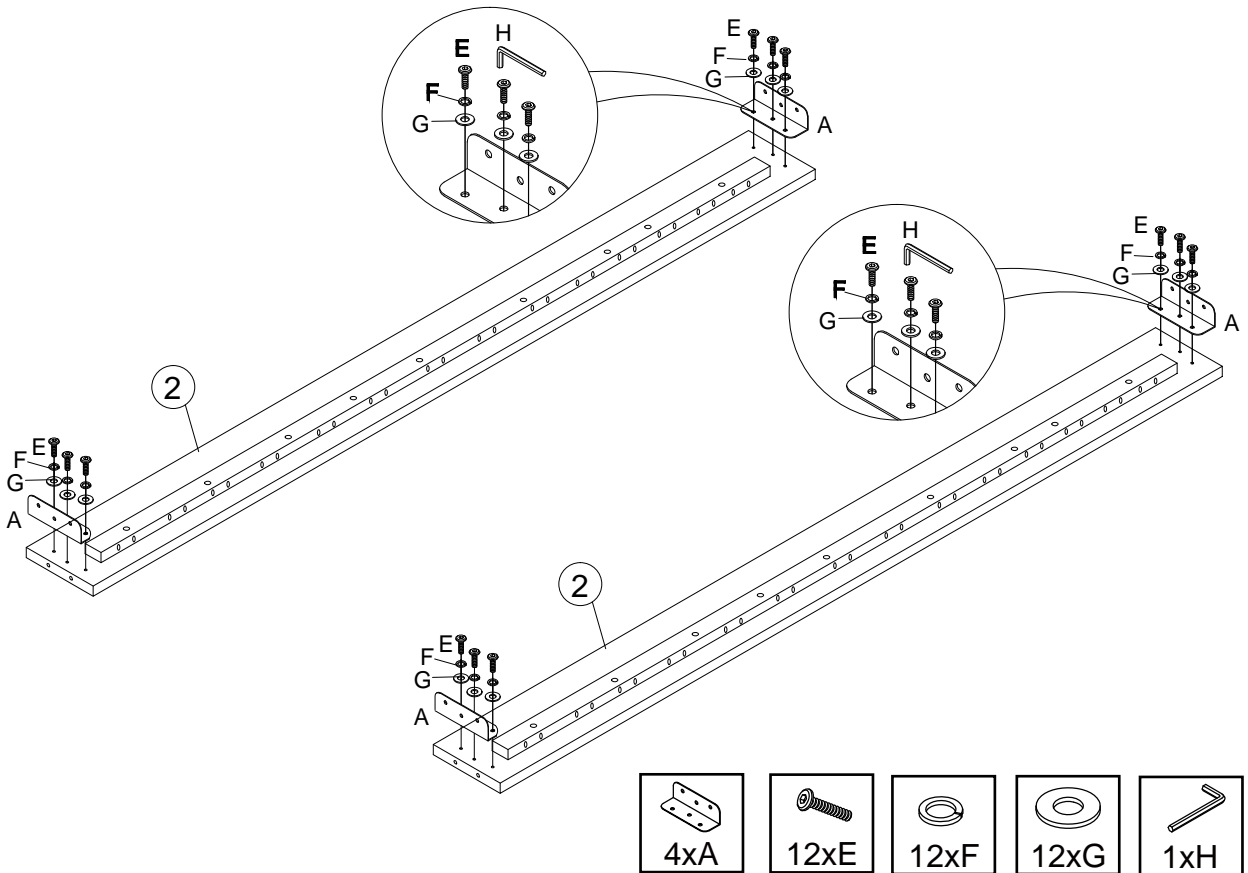
STEP 1:



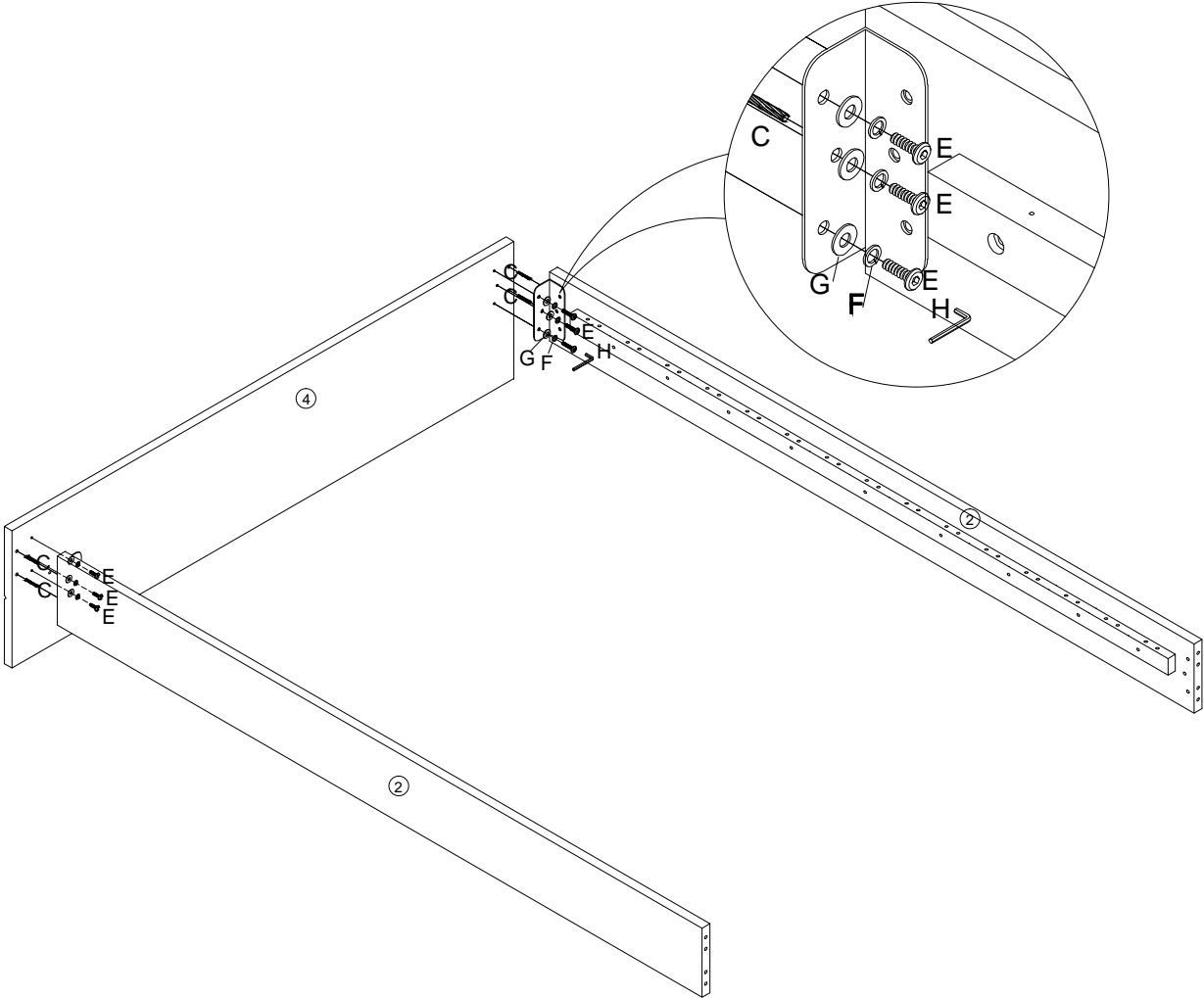
X2



STEP 2:

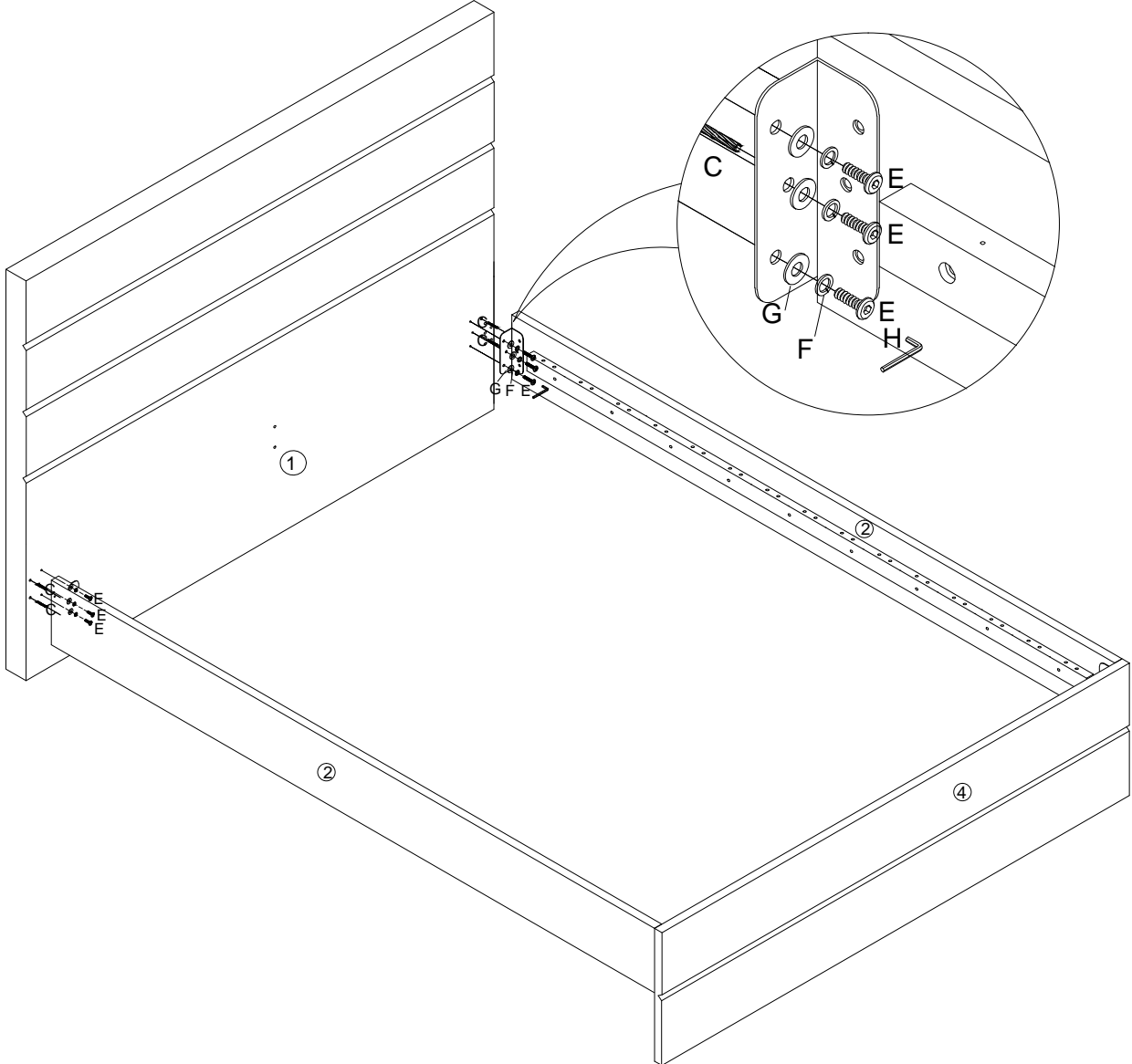


STEP 3:



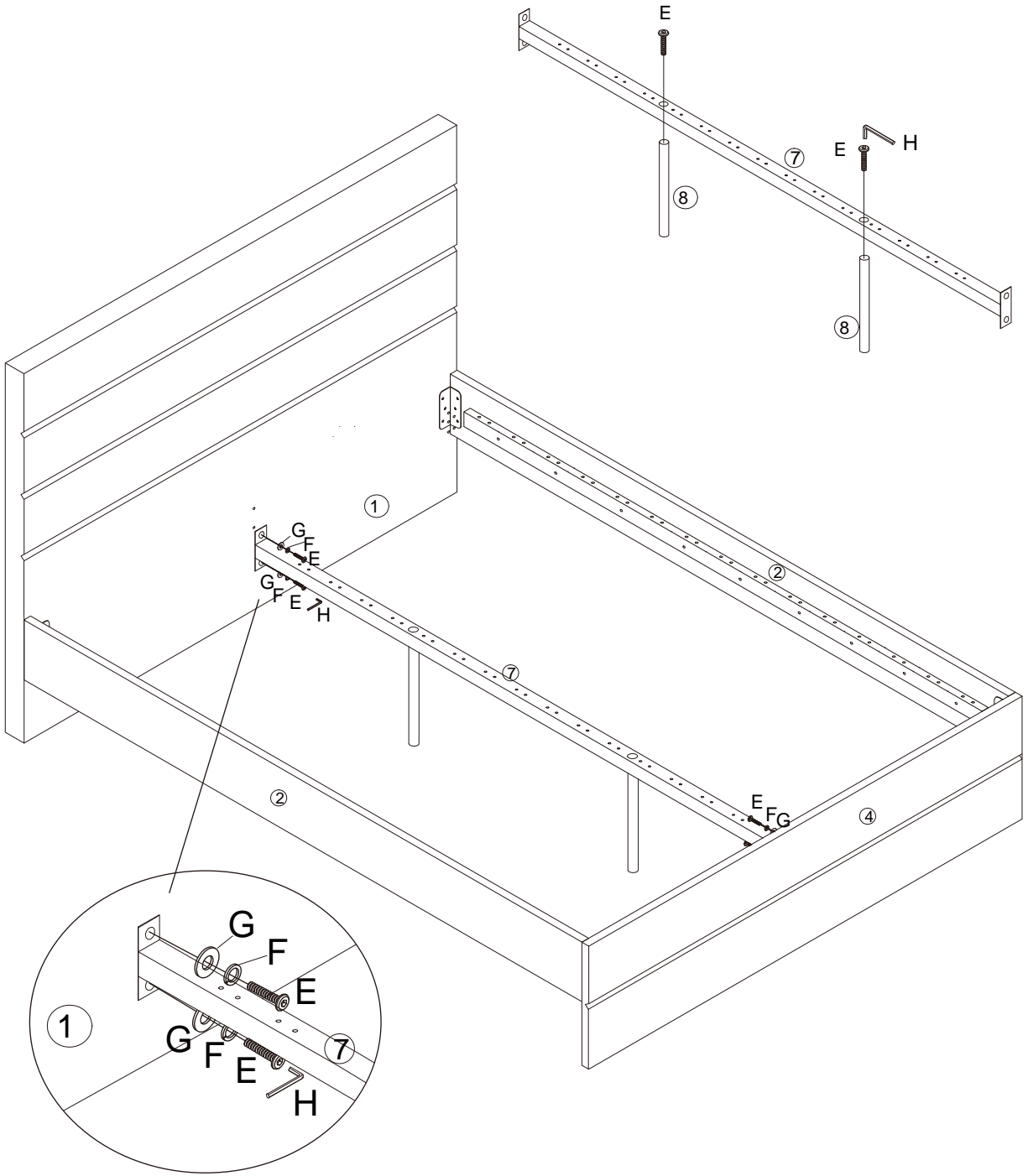
- 4xC
- 6xE
- 6xF
- 6xG
- 1xH

STEP 4:



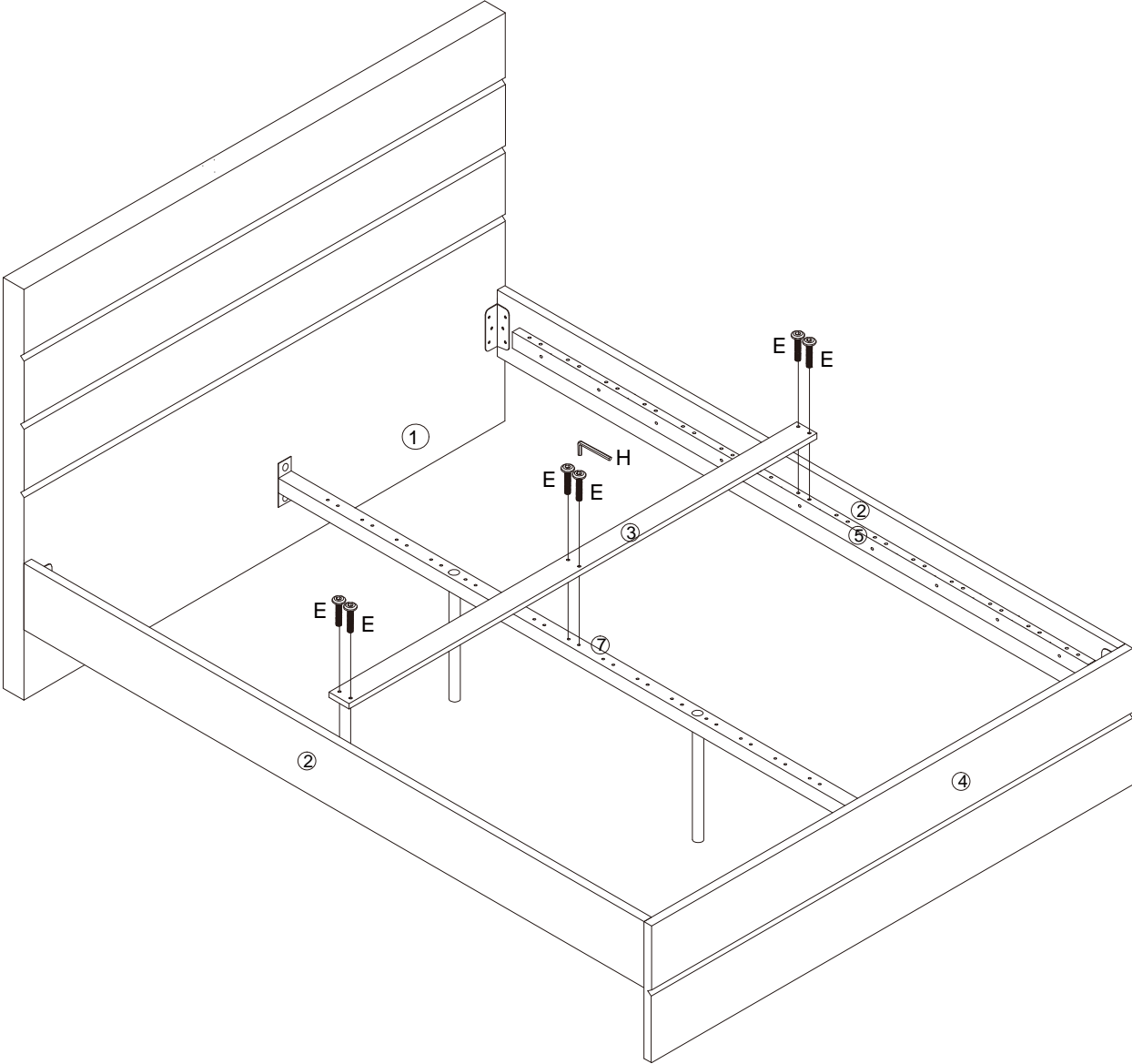
- 4xC
- 6xE
- 6xF
- 6xG
- 1xH

STEP 5:



- 6xE
- 4xF
- 4xG
- 1xH

STEP 6:



STEP 7:

