



SOFT, DRY CLOTH



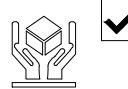
CHEMICAL



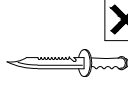
HEAT



KEEP DRY



HANDLE WITH CARE



DO NOT USE KNIFE

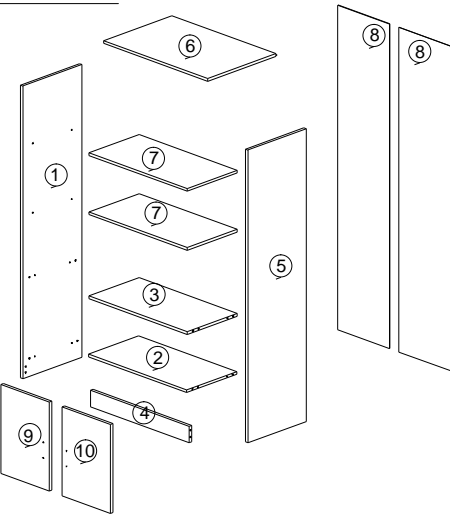
ASSEMBLY INSTRUCTION

MODEL : EO 3018

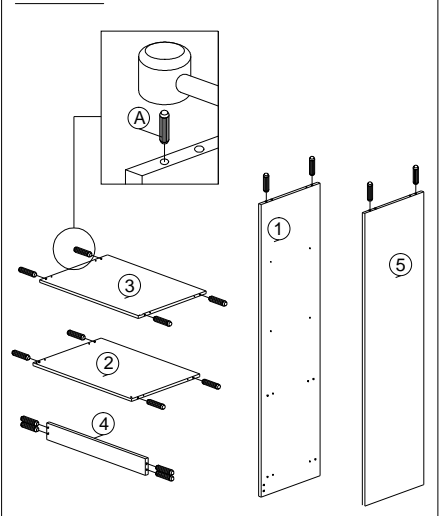
DESCRIPTION : FILLING CABINET

HARDWARE	A	B1	B2	C	D	E	F	G	H	I	J	K
	WOOD DOWEL 8 X 25	MINIFIX 5654+5546		QUICKFIT CAP	METAL SHELF SUPPORT	L KEY	HINGES 7/8	CB SCREW M3.5X16MM	CB SCREW M4X25MM	2 PIN STOPPER (BLACK)	HANDLE 108 -160MM (PVC)	NAIL 5/8
	16	12 SETS		12	8	1	4 SETS	16	4	1	2	28

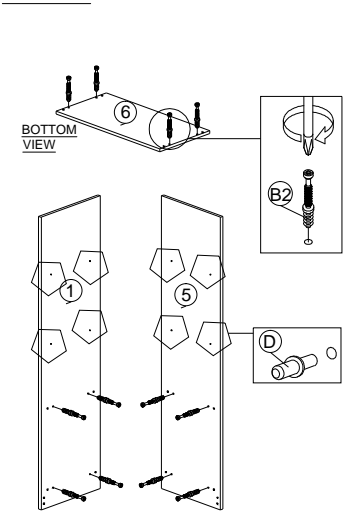
PART LIST



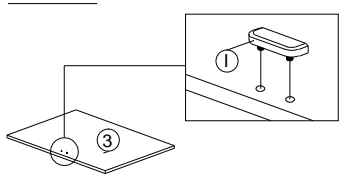
STEP 1



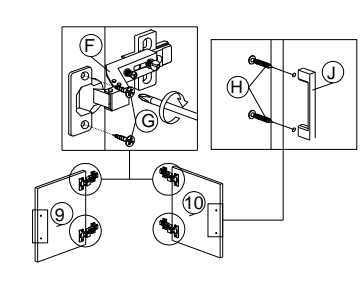
STEP 2



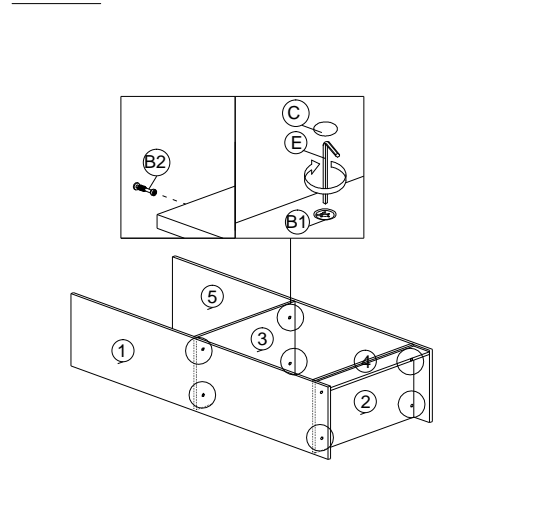
STEP 3



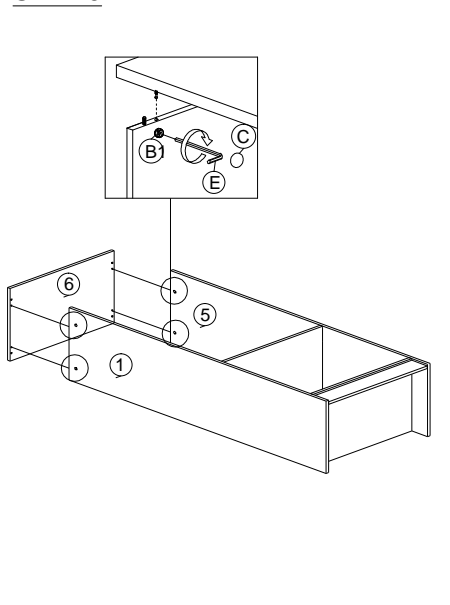
STEP 4



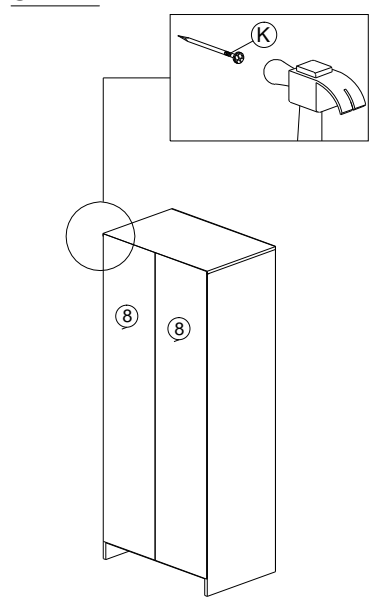
STEP 5



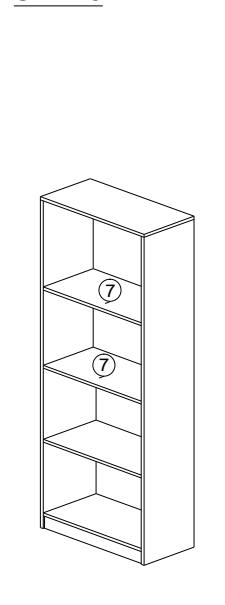
STEP 6



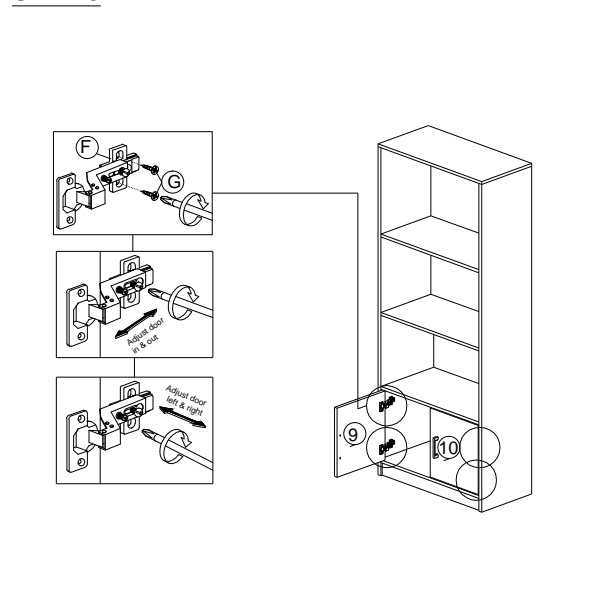
STEP 7



STEP 8



STEP 9



COMPLETED

